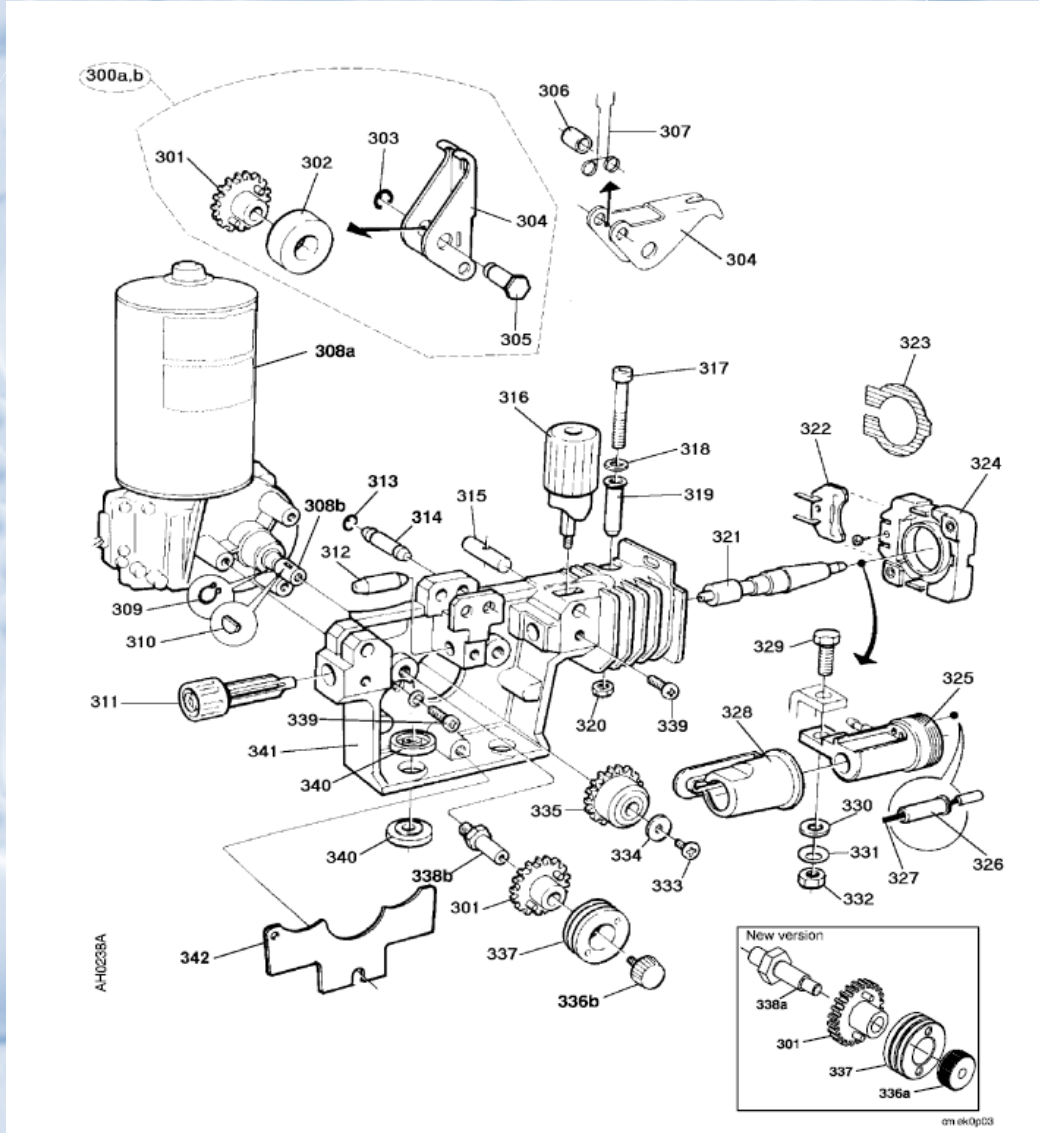


MEK 4 - MEK 20

TEL SÜRME YEDEK PARÇA LİSTESİ



Ürün Numarası	Ürün Kodu	Açıklama
300a	0469 833 880	Pressure Arm, left
300b	0469 833 881	Pressure Arm, right
301	0455 053 880	Gear Adapter (W)
302	0369 728 001	Pressure Roller (W)
304		Holder
321	0469 837 880	Outlet Nozzle (W)
337	0369 557 001	Feed Roller (W) (A) \varnothing 0.6 - 0.8 mm
	0369 557 002	Feed Roller (W) (A) \varnothing 0.8 - 1.0 mm
	0369 557 003	Feed Roller (W) (A) \varnothing 1.0 - 1.2 mm
	0369 557 007	Feed Roller (W) (A) \varnothing 1.2 - 1.6 mm
	0369 557 010	Feed Roller (W) (A) \varnothing 1.0 mm x 2.0 mm
335	0455 052 001	Drive Gear (W)
336a	0458 721 001	Nut
336b	0455 075 001	Screw
338a	0458 722 001	Shaft
338b	0455 068 001	Shaft

MARINE ENGINEERING

Adres: Yayla Mah. Vatan Cad. MEKA İş Merkezi No: 58 Kat:3 D.16
Tuzla - İSTANBUL / TURKEY

Tel: + 90 216 701 23 13 Fax: +90 216 701 23 14 Gsm: +90 532 506 39 59

web: www.marine-engineering.net